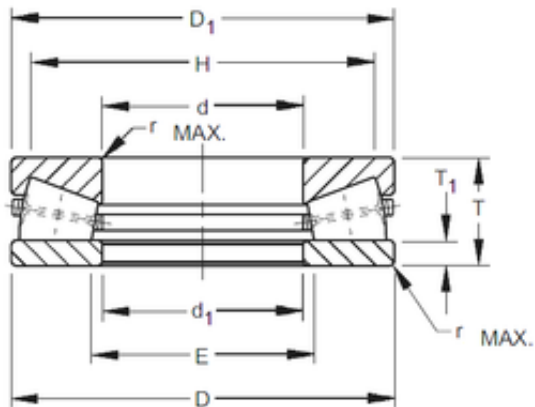




BEARING DRIVESHAFT ANDERSON, INC.

Timken F-3090-A Thrust roller bearings

Bearing No. F-3090-A



F-3090-A Bearing 2D drawings and 3D CAD models

Size	304.8x736.6x279.4 mm
Bore Diameter	304,8 mm
Outer Diameter	736,6 mm
Width	279,4 mm
d	304,8 mm
D	736,6 mm
T	279,4 mm
r max	9,1 mm
T1	44,45 mm
d1	307,98 mm
D1	735,01 mm
E	385,8 mm
H	614,4 mm