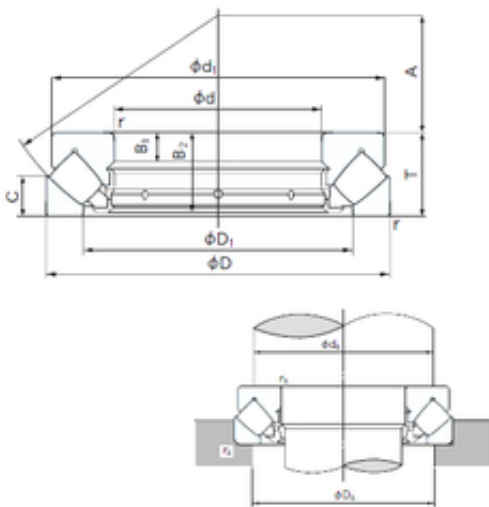




BEARING DRIVESHAFT ANDERSON, INC.



140 mm x 280 mm x 31 mm NACHI 29428E
Thrust roller bearings

Bearing No. 29428E

29428E Bearing 2D drawings and 3D CAD models

Size	140x280x85 mm
Bore Diameter	140 mm
Outer Diameter	280 mm
Width	85 mm
d	140 mm
D	280 mm
T	85 mm
d1	268 mm
r min.	4 mm
A	86 mm
B1	31 mm
B2	81 mm
C	41 mm
D1	199 mm
da min.	205 mm
Da max.	235 mm
ra max.	3 mm
Weight	24.6 Kg
Basic dynamic load rating (C)	1200 kN
Basic static load rating (C0)	4050 kN
Category	Bearings
Inventory	0.0
Manufacturer Name	NACHI
Minimum Buy Quantity	N/A
Weight / Kilogram	0



BEARING DRIVESHAFT ANDERSON, INC.

Product Group	B04311
Bore Type	Cylindrical Bore
Enclosure	Open
Configuration	Single Row
Bore Size	140 mm
Outside Diameter	280 mm
Fillet Radius/Chamfer	4 mm
Width	85 mm
Dynamic Load Rating	1,200,000 N
Static Load Rating	4,050,000 N
Limiting Speed - Oil	1,200 rpm
B	31 mm
da (min)	205 mm
Da (max)	235 mm
ra (max)	3 mm