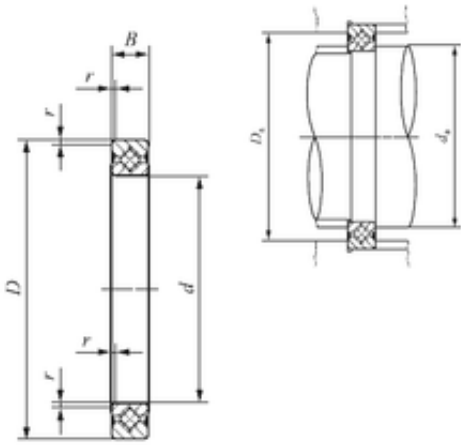




BEARING DRIVESHAFT ANDERSON, INC.

120 mm x 136 mm x 8 mm IKO CRBS 1208 V
Thrust roller bearings

Bearing No. CRBS 1208 V



CRBS 1208 V Bearing 2D drawings and 3D CAD models

Size	120x136x8 mm
Bore Diameter	120 mm
Outer Diameter	136 mm
Width	8 mm
d	120 mm
D	136 mm
B	8 mm
r min.	0.4 mm
Da	131 mm
da	124 mm
Weight	0,184 Kg
Basic dynamic load rating (C)	10,9 kN