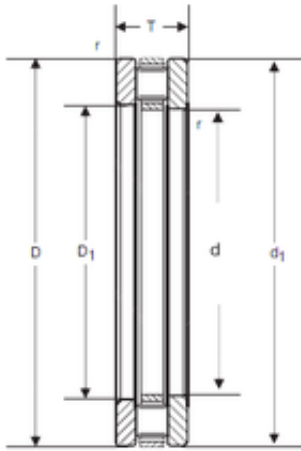




BEARING DRIVESHAFT ANDERSON, INC.



SIGMA 81122 Thrust roller bearings

Bearing No. 81122

Size	110x145x25 mm
Bore Diameter	110 mm
Outer Diameter	145 mm
Width	25 mm
d	110 mm
D	145 mm
T	25 mm
d1	145 mm
D1	112 mm

81122 Bearing 2D drawings and 3D CAD models