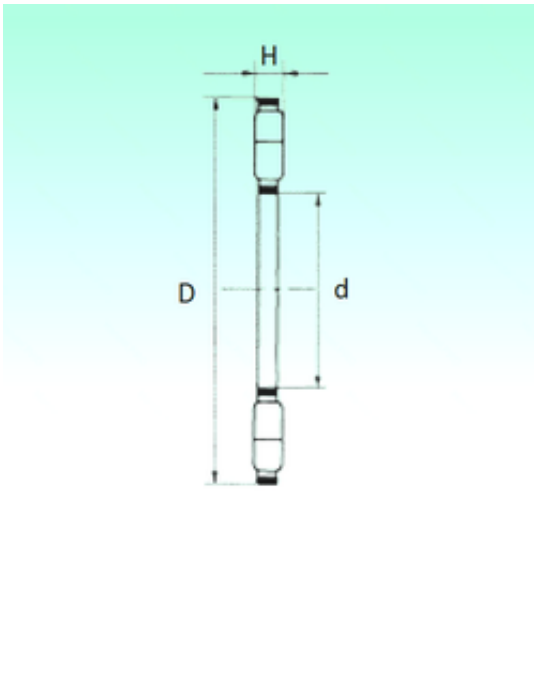




BEARING DRIVESHAFT ANDERSON, INC.



NBS K89308TN Thrust roller bearings

Bearing No. K89308TN

Bore Diameter	40 mm
Outer Diameter	78 mm
d	40 mm
D	78 mm
Dw	7 mm
Weight	0,098 Kg
Basic dynamic load rating (C)	119 kN
Basic static load rating (C0)	384,5 kN

K89308TN Bearing 2D drawings and 3D CAD models