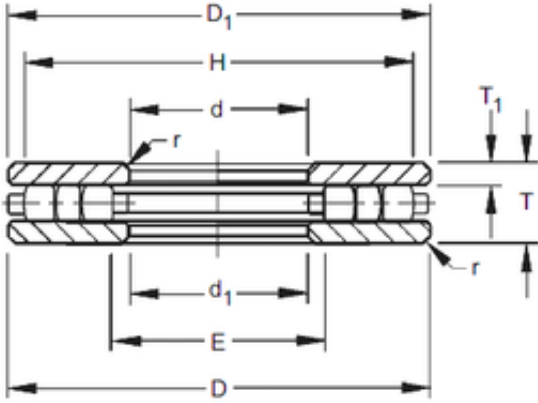




BEARING DRIVESHAFT ANDERSON, INC.

Timken 60TP125 Thrust roller bearings

Bearing No. 60TP125



Size	152.4x254x50.8 mm
Bore Diameter	152,4 mm
Outer Diameter	254 mm
Width	50,8 mm
d	152,4 mm
D	254 mm
T	50,8 mm
r max	3,2 mm
T1	14,29 mm
d1	153,99 mm
D1	252,41 mm
E	165,1 mm
H	241,3 mm

60TP125 Bearing 2D drawings and 3D CAD models