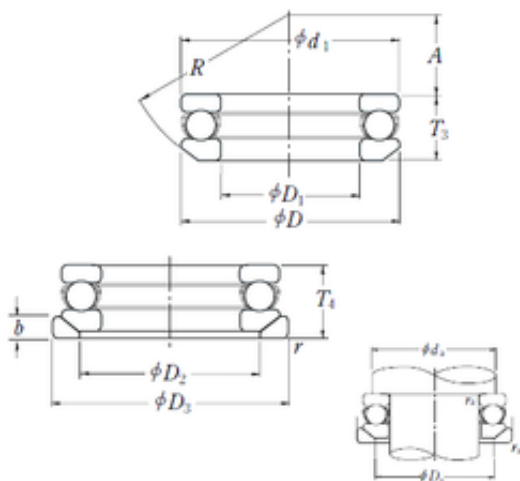




BEARING DRIVESHAFT ANDERSON, INC.

NSK 53310U Thrust ball bearings

Bearing No. 53310U



53310U Bearing 2D drawings and 3D CAD models

Size	50x95x37 mm
Bore Diameter	50 mm
Outer Diameter	95 mm
Width	37 mm
d	50 mm
D	95 mm
T	37 mm
b	11 mm
d1	95 mm
r min.	1,1 mm
A	28 mm
D1	52 mm
D2	72 mm
D3	100 mm
R	72 mm
da min.	77 mm
Da max.	68 mm
ra max.	1 mm
Weight	1,27 Kg
Basic dynamic load rating (C)	97,5 kN
Basic static load rating (C0)	202 kN
(Grease) Lubrication Speed	1800 r/min
SRI	8.57
hidYobi	53310U
LangID	1
D_	95



BEARING DRIVESHAFT ANDERSON, INC.

SREX	0.065
C	97.5
B_	37
hidTable	ecat_NSSDTB
Oil rpm	2800
SRE	8.57
mass	1.27
GRS rpm	1800
ra	1
SRIX	0.065
T4	37
D_3	100
D_a	68
SRIN	0
C0	202
D_2	72
SREN	0
D_1	52
Prod_Type3	TB_SD_WASW
da	77
DA_	15.875
Z_	13
yobi	53310U
A_	28
T3	34.3
SDM_	72.5
r	1.1
KBRG	5131
R_	72