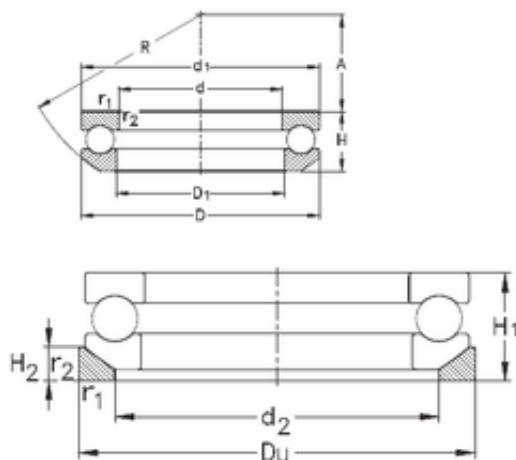




# BEARING DRIVESHAFT ANDERSON, INC.

## NKE 53215+U215 Thrust ball bearings

Bearing No. 53215+U215



53215+U215 Bearing 2D drawings and 3D CAD models

Size	75x110x28.3 mm
Bore Diameter	75 mm
Outer Diameter	110 mm
Width	28,3 mm
d	75 mm
D	110 mm
H	28,3 mm
d1	110 mm
d2	92 mm
r1 min.	1 mm
r2 min.	1 mm
A	49 mm
D1	77 mm
H1	32 mm
H2	9,5 mm
R	90 mm
Weight	1,02 Kg
Basic dynamic load rating (C)	67 kN
Basic static load rating (C0)	170 kN