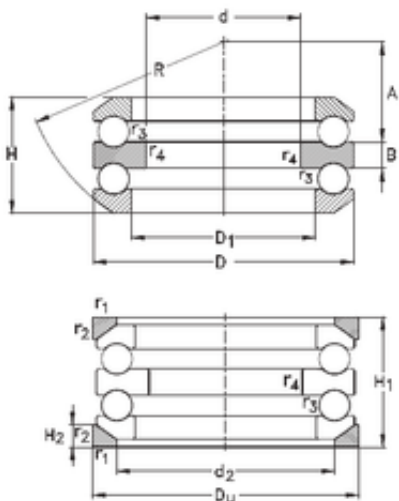




BEARING DRIVESHAFT ANDERSON, INC.



50 mm x 95 mm x 10 mm NKE 54212+U212
Thrust ball bearings

Bearing No. 54212+U212

Size	50x95x50 mm
Bore Diameter	50 mm
Outer Diameter	95 mm
Width	50 mm
d	50 mm
D	95 mm
H	50 mm
d2	78 mm
r1 min.	1 mm
r2 min.	1 mm
r3 min.	0,6 mm
r4 min.	0,6 mm
A	30,5 mm
B	10 mm
D1	62 mm
H1	56 mm
H2	9 mm
R	72 mm
Weight	1,38 Kg
Basic dynamic load rating (C)	62 kN
Basic static load rating (C0)	140 kN

54212+U212 Bearing 2D drawings and 3D CAD models