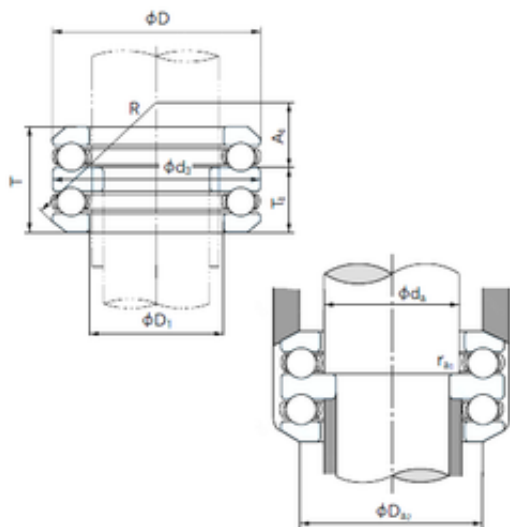




BEARING DRIVESHAFT ANDERSON, INC.



54309 Bearing 2D drawings and 3D CAD models

NACHI 54309 Thrust ball bearings

Bearing No. 54309

Size	45x85x56.2 mm
Bore Diameter	45 mm
Outer Diameter	85 mm
Width	56.2 mm
d	45 mm
d2	35 mm
D	85 mm
T	56.2 mm
ra1 max.	0.6 mm
T1	34.1 mm
a	12 mm
d3	85 mm
r min.	1 mm
r1 min.	0.6 mm
A1	21 mm
D1	47 mm
D2	65 mm
D3	90 mm
R	64 mm
da min.	45 mm
Da max.	65 mm
ra max.	1 mm
Weight	1.28 Kg
Basic dynamic load rating (C)	80 kN
Basic static load rating (C0)	163 kN
(Grease) Lubrication Speed	2000 r/min



BEARING DRIVESHAFT ANDERSON, INC.