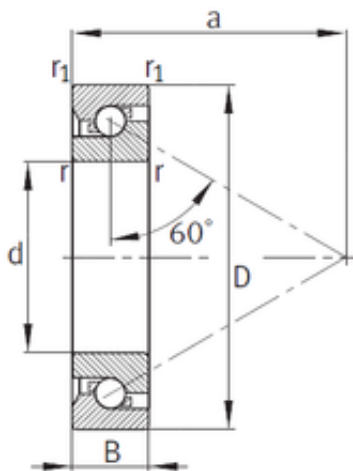




BEARING DRIVESHAFT ANDERSON, INC.



45 mm x 75 mm x 15 mm FAG BSB045075-T Thrust ball bearings

Bearing No. BSB045075-T

Size	45x75x15 mm
Bore Diameter	45 mm
Outer Diameter	75 mm
Width	15 mm
d	45 mm
D	75 mm
B	15 mm
C	15 mm
Angle (°)	60 °
a	59,5 mm
r min.	1 mm
r1 min.	1 mm
Da	68 mm
da	52 mm
Weight	0,26 Kg
Basic dynamic load rating (C)	30 kN
Basic static load rating (C0)	85 kN

BSB045075-T Bearing 2D drawings and 3D CAD models