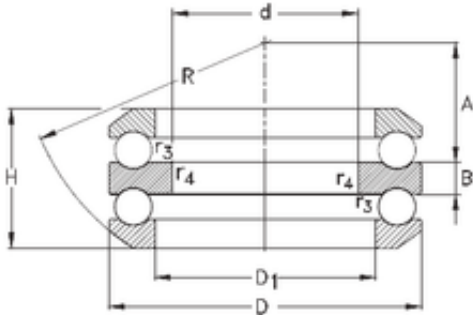




BEARING DRIVESHAFT ANDERSON, INC.

50 mm x 140 mm x 23 mm NKE 54413-MP Thrust ball bearings



Bearing No. 54413-MP

| | |
|-------------------------------|-----------------|
| Size | 50x140x109.4 mm |
| Bore Diameter | 50 mm |
| Outer Diameter | 140 mm |
| Width | 109,4 mm |
| d | 50 mm |
| D | 140 mm |
| H | 109,4 mm |
| r1 min. | 2 mm |
| r2 min. | 2 mm |
| r3 min. | 1 mm |
| r4 min. | 1 mm |
| A | 34 mm |
| B | 23 mm |
| D1 | 68 mm |
| R | 112 mm |
| Weight | 5,67 Kg |
| Basic dynamic load rating (C) | 216 kN |
| Basic static load rating (C0) | 450 kN |

54413-MP Bearing 2D drawings and 3D CAD models