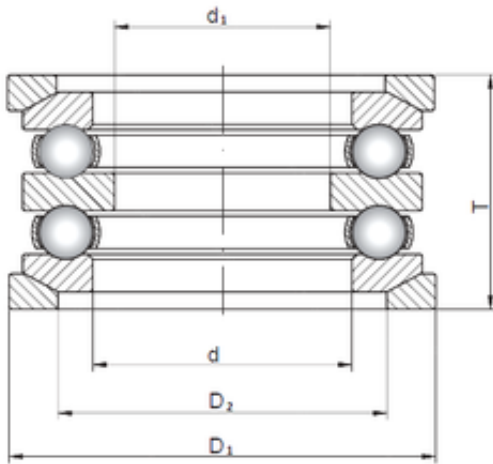




BEARING DRIVESHAFT ANDERSON, INC.

ISO 54218U+U218 Thrust ball bearings

Bearing No. 54218U+U218



Bore Diameter	93 mm
d	93 mm
d1	75 mm
D1	140 mm
D2	110 mm
T	76 mm

54218U+U218 Bearing 2D drawings and 3D CAD models