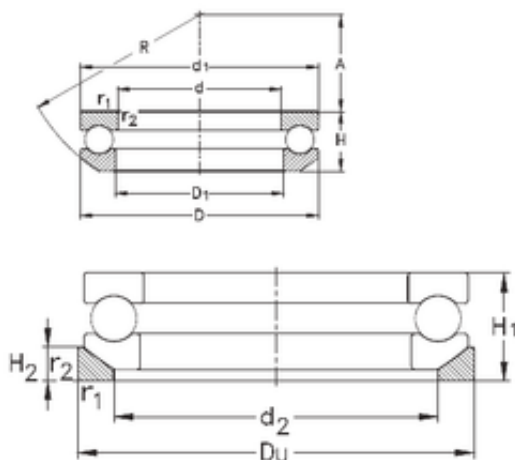




# BEARING DRIVESHAFT ANDERSON, INC.

## NKE 53418-MP+U418 Thrust ball bearings

Bearing No. 53418-MP+U418



53418-MP+U418 Bearing 2D drawings and 3D CAD models

Size	90x190x81.2 mm
Bore Diameter	90 mm
Outer Diameter	190 mm
Width	81,2 mm
d	90 mm
D	190 mm
H	81,2 mm
d1	187 mm
d2	140 mm
r1 min.	2,1 mm
r2 min.	2,1 mm
A	40 mm
D1	93 mm
H1	88 mm
H2	25,5 mm
R	140 mm
Weight	14,2 Kg
Basic dynamic load rating (C)	305 kN
Basic static load rating (C0)	750 kN