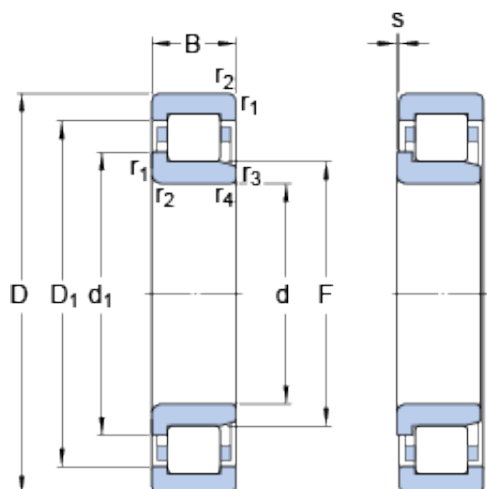




BEARING DRIVESHAFT ANDERSON, INC.



70 mm x 125 mm x 24 mm SKF NJ 214 ECPH Thrust ball bearings

Bearing No. NJ 214 ECPH

Size	125x70x24 mm
Bore Diameter	125 mm
Outer Diameter	70 mm
Width	24 mm
d	70 mm
D	125 mm
B	24 mm
d ₁	89.4 mm
D ₁	108.3 mm
F	83.5 mm
r _{1,2} - min.	1.5 mm
r _{3,4} - min.	1.5 mm
s	1.2 mm
d _a - min.	79 mm
d _a - max.	81 mm
d _b - min.	92 mm
D _a - max.	115.4 mm
r _a - max.	1.5 mm
Basic dynamic load rating - C	137 kN
Basic static load rating - C ₀	137 kN
Fatigue load limit - P _u	18 kN
Reference speed	6000 r/min
Limiting speed	6300 r/min
Calculation factor - k _r	0.15

NJ 214 ECPH Bearing 2D drawings and 3D CAD models



BEARING DRIVESHAFT ANDERSON, INC.

d_1	89.4 mm
D_1	108.3 mm
$r_{1,2}$ min.	1.5 mm
$r_{3,4}$ min.	1.5 mm
s max.	1.2 mm
d_a min.	79 mm
d_a max.	81 mm
d_b min.	92 mm
D_a max.	115.4 mm
r_a max.	1.5 mm
Basic dynamic load rating C	137 kN
Basic static load rating C_0	137 kN
Fatigue load limit P_u	18 kN
Calculation factor k_r	0.15
Limiting value e	0.2
Axial load factor Y	0.6
Mass bearing	1.2 kg