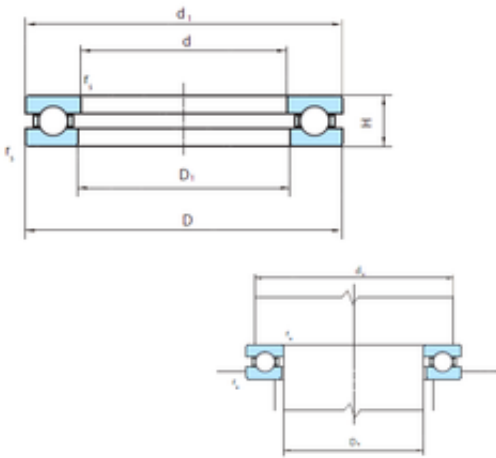




BEARING DRIVESHAFT ANDERSON, INC.

PSL 511/1000 Thrust ball bearings

Bearing No. 511/1000



511/1000 Bearing 2D drawings and 3D CAD models

Size	1000x1180x140 mm
Bore Diameter	1000 mm
Outer Diameter	1180 mm
Width	140 mm
d	1000 mm
D	1180 mm
H	140 mm
d1	1175 mm
r min.	5 mm
D1	1005 mm
da min.	1110 mm
Da max.	1070 mm
ra max.	4 mm
Weight	270 Kg
Basic dynamic load rating (C)	1377 kN
Basic static load rating (C0)	11595 kN
(Grease) Lubrication Speed	210 r/min