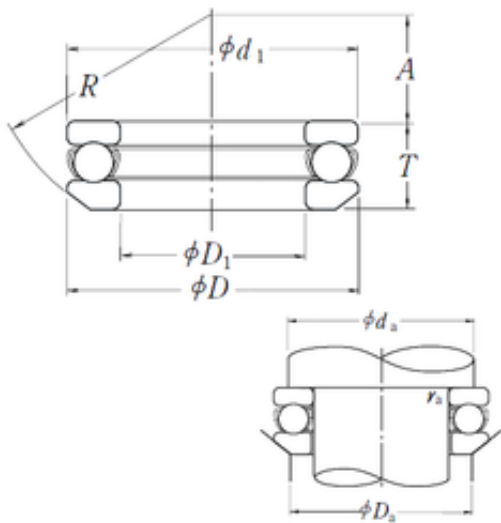




BEARING DRIVESHAFT ANDERSON, INC.



53318 Bearing 2D drawings and 3D CAD models

NSK 53318 Thrust ball bearings

Bearing No. 53318

Size	90x155x54.6 mm
Bore Diameter	90 mm
Outer Diameter	155 mm
Width	54,6 mm
d	90 mm
D	155 mm
T	54,6 mm
d1	155 mm
r min.	1,5 mm
A	40 mm
D1	93 mm
R	112 mm
da min.	129 mm
Da max.	116 mm
ra max.	1,5 mm
Weight	4,11 Kg
Basic dynamic load rating (C)	214 kN
Basic static load rating (C0)	525 kN
(Grease) Lubrication Speed	1100 r/min
Category	Thrust Ball Bearing
Inventory	0.0
Manufacturer Name	NSK
Minimum Buy Quantity	N/A
Weight / Kilogram	4.71
Product Group	B00308
Rolling Element	Ball Bearing



BEARING DRIVESHAFT ANDERSON, INC.

Thrust Bearing	Yes
Single or Double Direction	Single Direction
Banded	No
Cage Material	Steel
Precision Class	Non-Precision
Component Description	Roller Assembly Plus Raceways
Other Features	Single Row With Aligning Seat
Long Description	90MM Bore 1; 93MM Bore 2; 155MM Outside Diameter; 55MM Height; Ball Bearing; Single Direction; Not Banded; Steel Cage; Non-Precision
Inch - Metric	Metric
Category	Thrust Ball Bearings
UNSPSC	31171552
Harmonized Tariff Code	8482.10.50.08
Noun	Bearing
Keyword String	Ball Thrust
Manufacturer URL	http://www.nskamericas.com
Weight / LBS	9.061
Height	2.165 Inch 55 Millimeter
Outside Diameter	6.102 Inch 155 Millimeter
Overall Height with Aligning Washer	0 Inch 0 Millimeter
Bore 2	3.661 Inch 93 Millimeter
Bore 1	3.543 Inch 90 Millimeter
SRI	12.9
hidYobi	53318
LangID	1
D_	155
SREX	0.08



BEARING DRIVESHAFT ANDERSON, INC.

C	214
B_	54.6
hidTable	ecat_NSSDTB
Oil rpm	1700
SRE	12.9
mass	4.11
GRS rpm	1100
ra	1.5
SRIX	0.08
D_a	116
SRIN	0
C0	525
SREN	0
D_1	93
Prod_Type3	TB_SD_WAS
da	129
DA_	23.812
Z_	15
yobi	53318
A_	40
T3	54.6
SDM_	122.5
r	1.5
KBRG	5121
R_	112