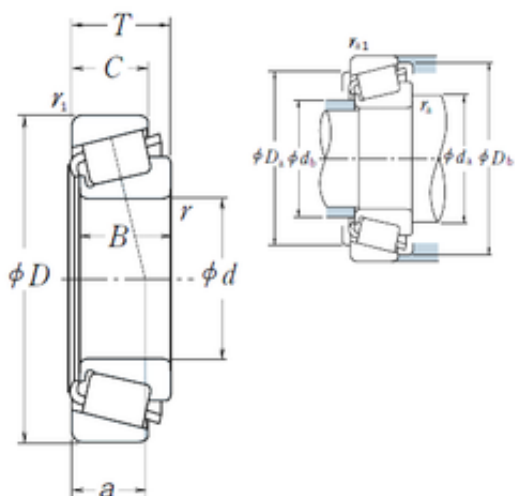




BEARING DRIVESHAFT ANDERSON, INC.



38,1 mm x 72,238 mm x 20,638 mm NSK
16150/16284 Tapered roller bearings

Bearing No. 16150/16284

16150/16284 Bearing 2D drawings and 3D CAD models

| | |
|-------------------------------|-----------------------|
| Size | 38.1x72.238x20.638 mm |
| Bore Diameter | 38,1 mm |
| Outer Diameter | 72,238 mm |
| Width | 20,638 mm |
| d | 38,1 mm |
| D | 72,238 mm |
| T | 20,638 mm |
| B | 20,638 mm |
| C | 15,875 mm |
| ra1 max. | 1,3 mm |
| a | 16 mm |
| r min. | 3,5 mm |
| r1 min. | 1,3 mm |
| Da | 63 mm |
| db | 43 mm |
| ra max. | 3,5 mm |
| da | 49,5 mm |
| Weight | 0,358 Kg |
| Basic dynamic load rating (C) | 48,5 kN |
| Basic static load rating (C0) | 59,5 kN |
| (Grease) Lubrication Speed | 5300 r/min |
| (Oil) Lubrication Speed | 7100 r/min |
| Calculation factor (e) | 0,4 |
| Calculation factor (Y0) | 0,82 |
| LangID | 1 |



BEARING DRIVESHAFT ANDERSON, INC.

| | |
|------------|---------------|
| ALP23 | 0 |
| outer r | 1.3 |
| ALP22 | 0 |
| D_ | 72.238 |
| ALP21 | 30 |
| SHOG_yobi | 16150R/16284R |
| RAr | 124.211 |
| inner r | 3.5 |
| GRS rpm | 5300 |
| D_b | 67 |
| D_a | 63 |
| DE_ | 60.909 |
| SLR | 13.3 |
| Prod_Type3 | TRBSR_ID_A |
| BETA_ | 1 |
| ALPHA_ | 15 |
| SDM_ | 53.724 |
| DA1 | 7.767 |
| DA2 | 6.939 |
| hidYobi | 16150/16284 |
| Y1 | 1.5 |
| B_ | 20.638 |
| Oil rpm | 7100 |
| hidTable | ecat_NSTPRI |
| Y0 | 0.82 |
| inner ra | 3.5 |
| outer rb | 1.3 |
| C0 | 59.5 |
| CUP | 0.146 |
| e | 0.4 |
| DA_ | 7.355 |
| BET21 | 3 |
| | |



BEARING DRIVESHAFT ANDERSON, INC.

| | |
|-------|-------------|
| BET22 | 35 |
| BET23 | 0 |
| Z_ | 18 |
| C_ | 15.875 |
| yobi | 16150/16284 |
| KBRG | 3161 |
| CONE | 0.212 |
| DI_ | 46.516 |