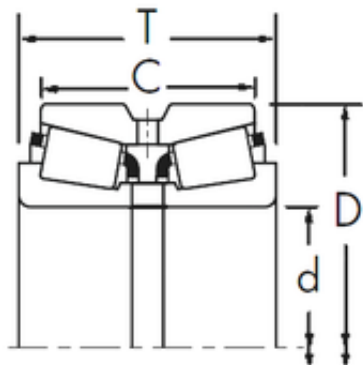




BEARING DRIVESHAFT ANDERSON, INC.



Timken 66585/66522D+X1S-66585 Tapered roller bearings

Bearing No. 66585/66522D+X1S-66585

Dimensione	60x129.982x69.85 mm
Marchio	Timken
Diametro del foro	60 mm
Diametro esterno	129,982 mm
Larghezza	69,85 mm
d	60 mm
D	129,982 mm
T	69,85 mm
C	47,625 mm
R	3,5 mm
r	0,8 mm

66585/66522D+X1S-66585 Bearing 2D drawings and 3D CAD models