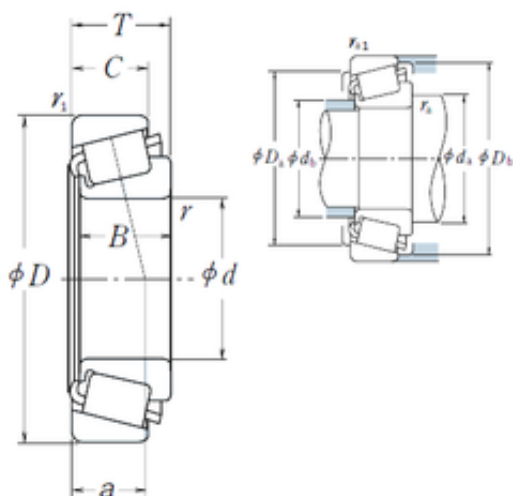




BEARING DRIVESHAFT ANDERSON, INC.



60,325 mm x 122,238 mm x 36,678 mm NSK
558/553X Tapered roller bearings

Bearing No. 558/553X

Size	60.325x122.238x38.1 mm
Bore Diameter	60,325 mm
Outer Diameter	122,238 mm
Width	38,1 mm
d	60,325 mm
D	122,238 mm
T	38,1 mm
B	36,678 mm
C	30,162 mm
ra1 max.	3,3 mm
a	28,8 mm
r min.	2,3 mm
r1 min.	3,3 mm
Da	108 mm
db	69 mm
ra max.	2,3 mm
da	73 mm
Db	115 mm
Weight	2,022 Kg
Basic dynamic load rating (C)	161 kN
Basic static load rating (C0)	221 kN
(Grease) Lubrication Speed	3000 r/min
(Oil) Lubrication Speed	4000 r/min
Calculation factor (e)	0,35
Calculation factor (Y0)	0,95

558/553X Bearing 2D drawings and 3D CAD models



BEARING DRIVESHAFT ANDERSON, INC.

LangID	1
ALP23	0
outer r	3.3
ALP22	0
D_	122.238
ALP21	26
SHOG_yobi	558R/553XR
RAr	248.844
inner r	2.3
GRS rpm	3000
D_b	115
D_a	108
DE_	105.623
SLR	25.25
Prod_Type3	TRBSR_ID_A
BETA_	1
ALPHA_	13
SDM_	93.516
DA1	13.751
DA2	12.361
hidYobi	558/553X
Y1	1.7
B_	36.678
Oil rpm	4000
hidTable	ecat_NSTPRI
Y0	0.95
inner ra	2.3
outer rb	3.3
C0	221
CUP	0.692
e	0.35
DA_	13.059



BEARING DRIVESHAFT ANDERSON, INC.

BET21	3
BET22	10
BET23	0
Z_	19
C_	30.162
yobi	558/553X
KBRG	3161
CONE	1.33
DI_	80.632