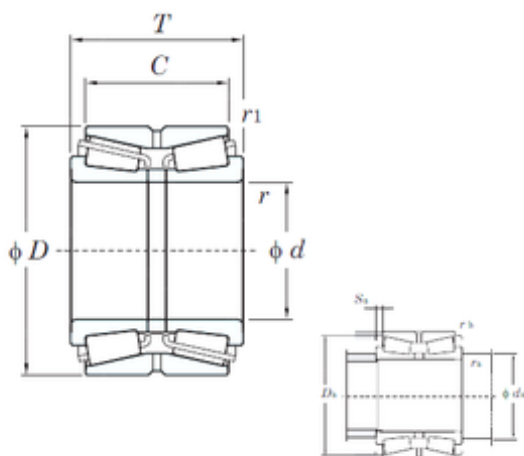




BEARING DRIVESHAFT ANDERSON, INC.



KOYO 46344 Tapered roller bearings

Bearing No. 46344

Size	220x370x120 mm
Bore Diameter	220 mm
Outer Diameter	370 mm
Width	120 mm
d	220 mm
D	370 mm
T	120 mm
C	107 mm
r min.	5 mm
r1 min.	1,5 mm
da min.	242 mm
Da min	346 mm
ra max.	4 mm
rb max.	1,5 mm
Weight	49,1 Kg
Basic dynamic load rating (C)	1070 kN
Basic static load rating (C0)	1810 kN
(Grease) Lubrication Speed	700 r/min
(Oil) Lubrication Speed	930 r/min
Calculation factor (e)	0,35
Calculation factor (Y0)	1,91
Bearing No.	46344
r(min)	5
r1(min)	1.5
Cr	1260
C0r	1810

46344 Bearing 2D drawings and 3D CAD models



BEARING DRIVESHAFT ANDERSON, INC.

Cu	101
Grease lub.	700
Oil lub.	930
da(min)	242
Da(min)	361.5
Sa(min)	6.5
ra(max)	4
rb(max)	1.5
e	0.35
Y2	1.95
Y3	2.90
Y0	1.91
(Refer.)Mass(kg)	49.1