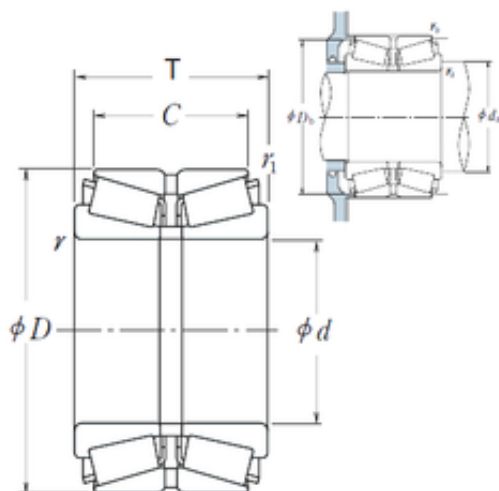




# BEARING DRIVESHAFT ANDERSON, INC.



HR65KBE52X+L Bearing 2D drawings and 3D CAD models

## NSK HR65KBE52X+L Tapered roller bearings

Bearing No. HR65KBE52X+L

Size	65x120x73 mm
Bore Diameter	65 mm
Outer Diameter	120 mm
Width	73 mm
d	65 mm
D	120 mm
T	73 mm
C	61,5 mm
r min.	2 mm
r1 min.	0,6 mm
da min.	77 mm
Db min.	117 mm
ra max.	2 mm
rb max.	0,6 mm
Weight	3,35 Kg
Basic dynamic load rating (C)	269 kN
Basic static load rating (C0)	405 kN
(Grease) Lubrication Speed	2400 r/min
(Oil) Lubrication Speed	3300 r/min
Calculation factor (e)	0,4
Calculation factor (Y0)	1,6
Calculation factor (Y2)	2,5