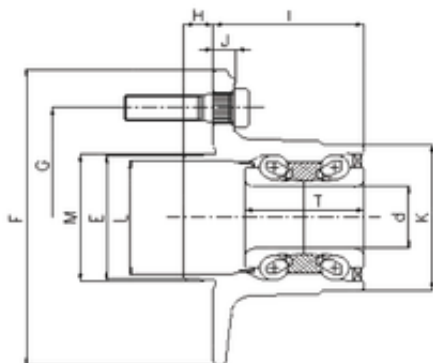




BEARING DRIVESHAFT ANDERSON, INC.

ILJIN IJ222001 Tapered roller bearings



Bearing No. IJ222001

Bore Diameter	42 mm
d	42 mm
I	57,7 mm
K	91 mm
E	71,34 mm
F	160,4 mm
G	114,3 mm
H	18 mm
J	12,3 mm
L	114,3 mm
M	59,2 mm
T	91 mm

IJ222001 Bearing 2D drawings and 3D CAD models