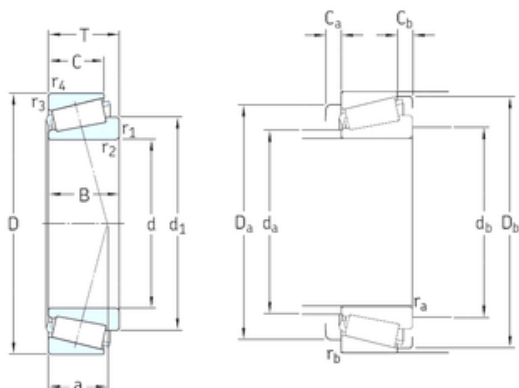




BEARING DRIVESHAFT ANDERSON, INC.



44,45 mm x 82,931 mm x 25,4 mm SKF
25580/25520/Q Tapered roller bearings

Bearing No. 25580/25520/Q

25580/25520/Q Bearing 2D drawings and 3D CAD models

Size	44.45x82.931x23.812 mm
Bore Diameter	44,45 mm
Outer Diameter	82,931 mm
Width	23,812 mm
d	44,45 mm
D	82,931 mm
T	23,812 mm
B	25,4 mm
C	19,05 mm
a	17 mm
d1	62,1 mm
r1 min.	3,5 mm
r2 min.	3,5 mm
r3 min.	0,8 mm
r4 min.	0,8 mm
Ca min.	5 mm
Cb min.	4,5 mm
da max	53 mm
Da min	71 mm
Da max.	76 mm
db min	55,5 mm
Db min.	76 mm
ra max.	3,3 mm
rb max.	0,8 mm
Weight	0,57 Kg



BEARING DRIVESHAFT ANDERSON, INC.

Basic dynamic load rating (C)	80,9 kN
Basic static load rating (C0)	106 kN
Fatigue load limit (Pu)	11,8
Reference speed	6000 r/min
Limiting speed	9000 r/min
Calculation factor (e)	0,33
Calculation factor (Y)	1,8