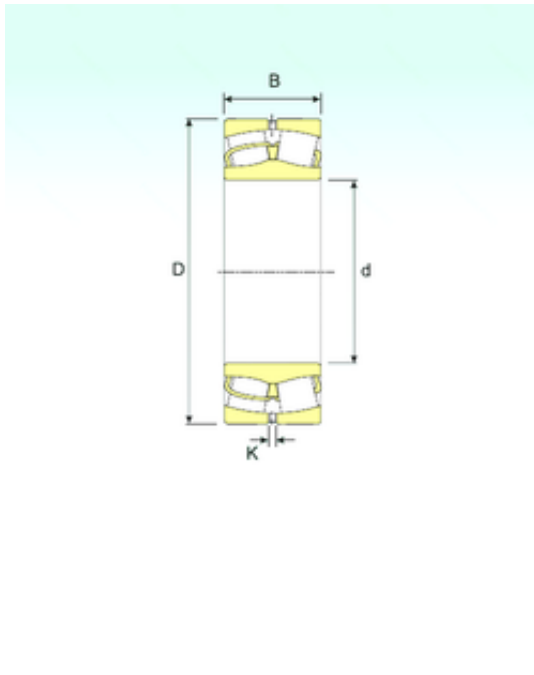




BEARING DRIVESHAFT ANDERSON, INC.



23134 Bearing 2D drawings and 3D CAD models

170 mm x 280 mm x 88 mm ISB 23134 Spherical roller bearings

Bearing No. 23134

Size	170x280x88 mm
Bore Diameter	170 mm
Outer Diameter	280 mm
Width	88 mm
d	170 mm
D	280 mm
B	88 mm
C	88 mm
K	7,5 mm
Weight	22 Kg
Basic dynamic load rating (C)	1019 kN
Basic static load rating (C0)	1470 kN
(Grease) Lubrication Speed	1836 r/min