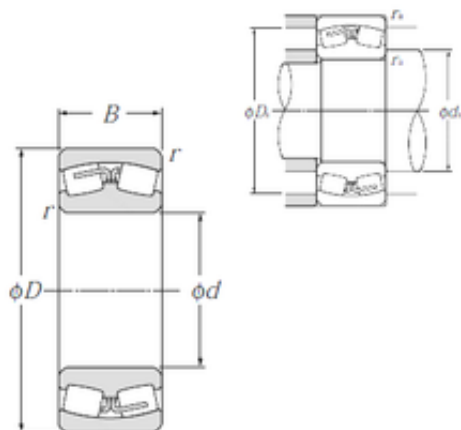




# BEARING DRIVESHAFT ANDERSON, INC.

460 mm x 760 mm x 240 mm NTN 23192B  
Spherical roller bearings



Bearing No. 23192B

Size	460x760x240 mm
Bore Diameter	460 mm
Outer Diameter	760 mm
Width	240 mm
d	460 mm
D	760 mm
B	240 mm
C	240 mm
r min.	7,5 mm
da min.	496 mm
Da max.	724 mm
ra max.	6 mm
Weight	443 Kg
Basic dynamic load rating (C)	5 700 kN
Basic static load rating (C0)	11 400 kN
(Grease) Lubrication Speed	360 r/min
(Oil) Lubrication Speed	470 r/min
Calculation factor (e)	0,31
Calculation factor (Y0)	2,1
Calculation factor (Y1)	2,14
d2	558 mm
D1	659.7 mm
rs min	7.5 mm
Number of lubrication holes	8
b	33 mm

23192B Bearing 2D drawings and 3D CAD models



## BEARING DRIVESHAFT ANDERSON, INC.

k	20 mm
e	0.31
Y1	2.19
Y2	3.27
Y0	2.15
Radial clearance class	CN
Dynamic load, C	5,700 kN
Static load, C0	11,400 kN
Fatigue limit load, Cu	812 kN
Nref	400 rpm
Nlim	670 rpm
Min operating temperature, Tmin	-40 ° C
Max operating temperature, Tmax	120 ° C
Characteristic cage frequency, FTF	0.44 Hz
Characteristic rolling element frequency, BSF	8.43 Hz
Characteristic outer ring frequency, BPF0	10.18 Hz
Characteristic inner ring frequency, BPFI	12.82 Hz
da min	492 mm
Da max	728 mm
ra max	6 mm