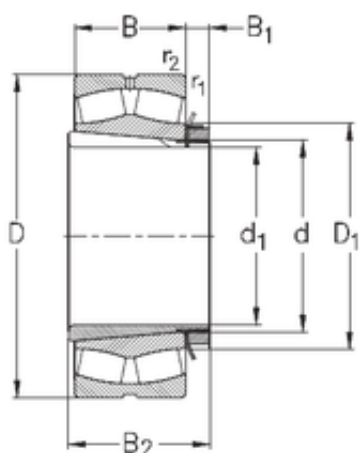




BEARING DRIVESHAFT ANDERSON, INC.



180 mm x 320 mm x 86 mm NKE 22236-K-MB-W33+H3136 Spherical roller bearings

Bearing No. 22236-K-MB-W33+H3136

Size	180x320x86 mm
Bore Diameter	180 mm
Outer Diameter	320 mm
Width	86 mm
d	180 mm
d1	160 mm
D	320 mm
B	86 mm
C	86 mm
r1 min.	4 mm
r2 min.	4 mm
B1	30 mm
B2	131 mm
D1	230 mm
Weight	36,65 Kg
Basic dynamic load rating (C)	943 kN
Basic static load rating (C0)	1380 kN
Limiting speed	2600 r/min
Calculation factor (e)	0,28
Calculation factor (Y0)	2,3
Calculation factor (Y1)	2,4

22236-K-MB-W33+H3136 Bearing 2D drawings and 3D CAD models