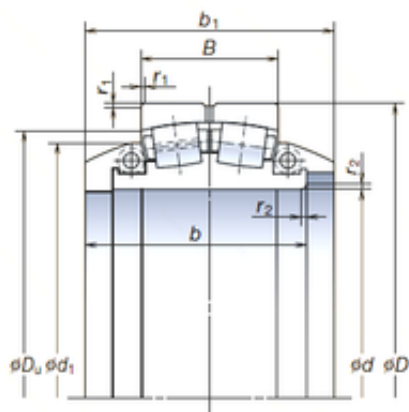




BEARING DRIVESHAFT ANDERSON, INC.

950 mm x 1 400 mm x 300 mm NSK
950SLPT1451 Spherical roller bearings



Bearing No. 950SLPT1451

Size	950x1400x300 mm
Bore Diameter	950 mm
Outer Diameter	1400 mm
Width	300 mm
d	950 mm
D	1 400 mm
B	300 mm
b	520 mm
b1	600 mm
d1	1 182 mm
r1 min.	7,5 mm
r2 min.	28 mm
Basic dynamic load rating (C)	12 300 kN

950SLPT1451 Bearing 2D drawings and 3D CAD models