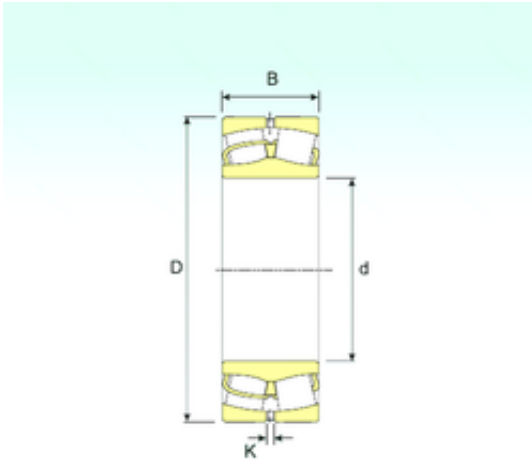




## BEARING DRIVESHAFT ANDERSON, INC.



231/800 Bearing 2D drawings and 3D CAD models

800 mm x 1280 mm x 375 mm ISB 231/800  
Spherical roller bearings

Bearing No. 231/800

Size	800x1280x375 mm
Bore Diameter	800 mm
Outer Diameter	1280 mm
Width	375 mm
d	800 mm
D	1280 mm
B	375 mm
C	375 mm
K	12 mm
Weight	1920 Kg
Basic dynamic load rating (C)	14504 kN
Basic static load rating (C0)	30870 kN
(Grease) Lubrication Speed	306 r/min