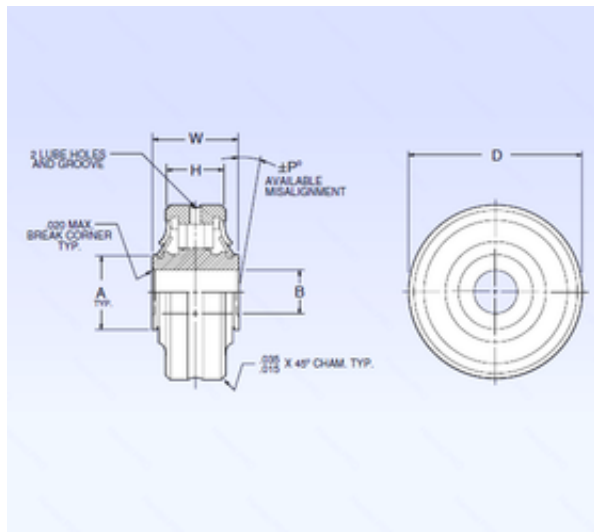




# BEARING DRIVESHAFT ANDERSON, INC.

6,35 mm x 25,4 mm x 6,35 mm NMB ASR4-1A  
Spherical roller bearings



Bearing No. ASR4-1A

Size	6.35x25.4x12.7 mm
Bore Diameter	6,35 mm
Outer Diameter	25,4 mm
Width	12,7 mm
d	6,35 mm
D	25,4 mm
B	12,7 mm
C	8,738 mm
P	10 mm
A	10,668 mm
B	6,35 mm
H	8,738 mm
W	12,7 mm

ASR4-1A Bearing 2D drawings and 3D CAD models