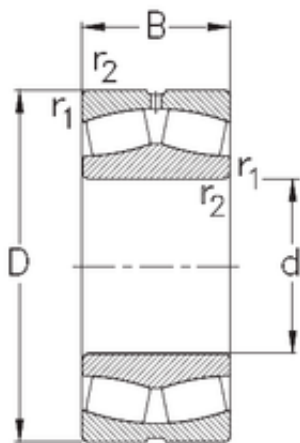




BEARING DRIVESHAFT ANDERSON, INC.



110 mm x 180 mm x 56 mm NKE 23122-MB-W33 Spherical roller bearings

Bearing No. 23122-MB-W33

Size	110x180x56 mm
Bore Diameter	110 mm
Outer Diameter	180 mm
Width	56 mm
d	110 mm
D	180 mm
B	56 mm
C	56 mm
r1 min.	2 mm
r2 min.	2 mm
Weight	6 Kg
Basic dynamic load rating (C)	354 kN
Basic static load rating (C0)	541 kN
Limiting speed	3600 r/min
Calculation factor (e)	0,31
Calculation factor (Y0)	2,1
Calculation factor (Y1)	2,2

23122-MB-W33 Bearing 2D drawings and 3D CAD models