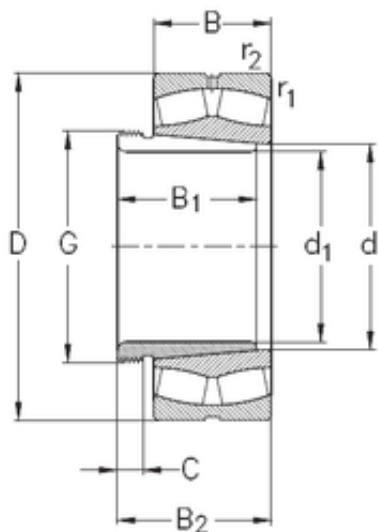




BEARING DRIVESHAFT ANDERSON, INC.



160 mm x 290 mm x 80 mm NKE 22232-E-K-W33+AH3132 Spherical roller bearings

Bearing No. 22232-E-K-W33+AH3132

Size	160x290x80 mm
Bore Diameter	160 mm
Outer Diameter	290 mm
Width	80 mm
d	160 mm
d1	150 mm
D	290 mm
B	80 mm
C	80 mm
r1 min.	3 mm
r2 min.	3 mm
B1	103 mm
B2	108 mm
C	16 mm
Thread (G)	M 180x3
Weight	27,47 Kg
Basic dynamic load rating (C)	978 kN
Basic static load rating (C0)	1440 kN
Limiting speed	2800 r/min
Calculation factor (e)	0,26
Calculation factor (Y0)	2,5
Calculation factor (Y1)	2,6

22232-E-K-W33+AH3132 Bearing 2D drawings and 3D CAD models