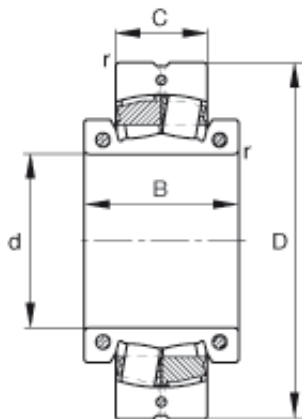




## BEARING DRIVESHAFT ANDERSON, INC.



150 mm x 260 mm x 112 mm FAG  
230SM150-MA Spherical roller bearings

Bearing No. 230SM150-MA

Size	150x260x67 mm
Bore Diameter	150 mm
Outer Diameter	260 mm
Width	67 mm
d	150 mm
D	260 mm
C	67 mm
B	112 mm
$r_{\min}$	2,1 mm
m	19,2 kg / Weight
$C_r$	510000 N / Dynamic load rating (radial)
e	0,22
$Y_1$	3,1
$Y_2$	4,62
$C_{0r}$	800000 N / Static load rating (radial)
$Y_0$	3,03
$n_G$	1060 1/min / Limiting speed
$C_{ur}$	57000 N / Fatigue limit load, radial
$F_{a \max}$	13800 N / Permissible axial load, for inner ring without axial abutment
$M_i$	35 Nm / Tightening torque per clamping screw

230SM150-MA Bearing 2D drawings and 3D CAD models



## BEARING DRIVESHAFT ANDERSON, INC.

$M_a$	9 Nm / Tightening torque per clamping screw
	23034K / Designation, spherical roller bearing, unsplit
	H3034 / Adapter sleeve