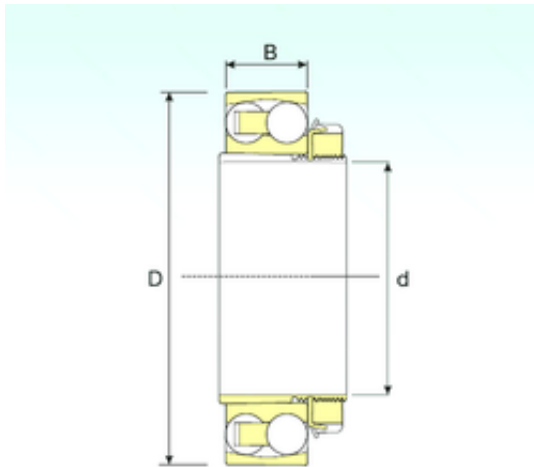




BEARING DRIVESHAFT ANDERSON, INC.



40 mm x 100 mm x 25 mm ISB 1309
KTN9+H309 Self aligning ball bearings

Bearing No. 1309 KTN9+H309

Size	40x100x25 mm
Bore Diameter	40 mm
Outer Diameter	100 mm
Width	25 mm
d	40 mm
D	100 mm
B	25 mm
B1	39 mm
C	25 mm
Weight	1,2 Kg
Basic dynamic load rating (C)	38,2 kN
Basic static load rating (C0)	13,1 kN
(Grease) Lubrication Speed	6503 r/min

1309 KTN9+H309 Bearing 2D drawings and 3D CAD models