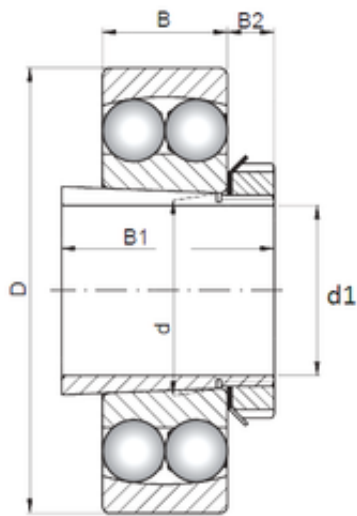




## BEARING DRIVESHAFT ANDERSON, INC.



70 mm x 150 mm x 51 mm ISO 2314K+H2314  
Self aligning ball bearings

Bearing No. 2314K+H2314

|                |              |
|----------------|--------------|
| Size           | 70x150x51 mm |
| Bore Diameter  | 70 mm        |
| Outer Diameter | 150 mm       |
| Width          | 51 mm        |
| d              | 70 mm        |
| d1             | 60 mm        |
| D              | 150 mm       |
| B              | 51 mm        |
| C              | 51 mm        |
| B1             | 68 mm        |
| B2             | 14 mm        |

2314K+H2314 Bearing 2D drawings and 3D CAD models