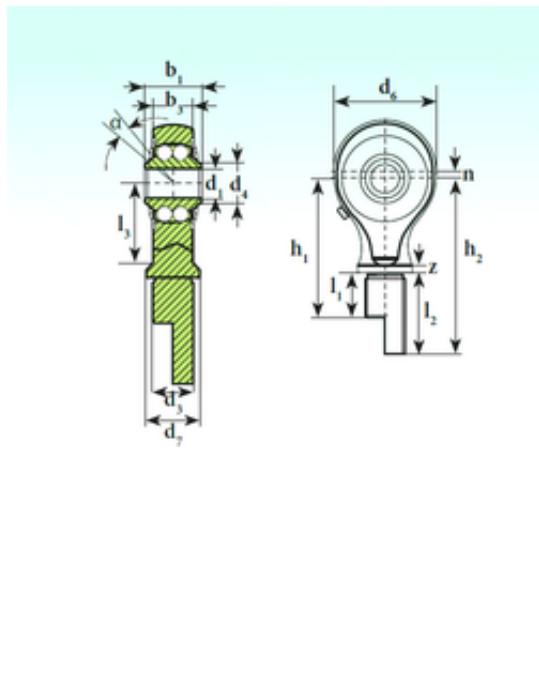




# BEARING DRIVESHAFT ANDERSON, INC.



TSM 08-01 BB-E Bearing 2D drawings and 3D CAD models

## ISB TSM 08-01 BB-E Self aligning ball bearings

Bearing No. TSM 08-01 BB-E

Bore Diameter	8 mm
d1	8 mm
d7	17 mm
Z	2,5 mm
u	2 mm
b1	15 mm
d4	11 mm
d6	30 mm
h1	48,5 mm
l1 min.	23 mm
l3 min.	20 mm
B3	10 mm
Thread (G)	M12x1,5
Angle	8,5 °
Weight	0,088 Kg
Basic dynamic load rating (C)	2,6 kN
Basic static load rating (C0)	0,98 kN
Limiting speed	1250 r/min
Calculation factor (Y)	1,9