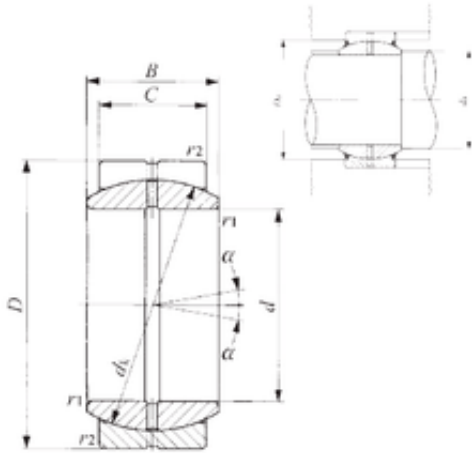




BEARING DRIVESHAFT ANDERSON, INC.

15 mm x 26 mm x 12 mm IKO GE 15ES Plain bearings



Bearing No. GE 15ES

| | |
|-------------------------------|-------------|
| Size | 15x26x12 mm |
| Bore Diameter | 15 mm |
| Outer Diameter | 26 mm |
| Width | 12 mm |
| d | 15 mm |
| D | 26 mm |
| B | 12 mm |
| C | 9 mm |
| dk | 22 mm |
| r1 min. | 0,3 mm |
| r2 min. | 0,3 mm |
| da min. | 17,5 mm |
| da max | 18 mm |
| Da min | 23,5 mm |
| Da max. | 22,5 mm |
| Angle | 8 ° |
| Weight | 0,032 Kg |
| Basic dynamic load rating (C) | 19,4 kN |

GE 15ES Bearing 2D drawings and 3D CAD models