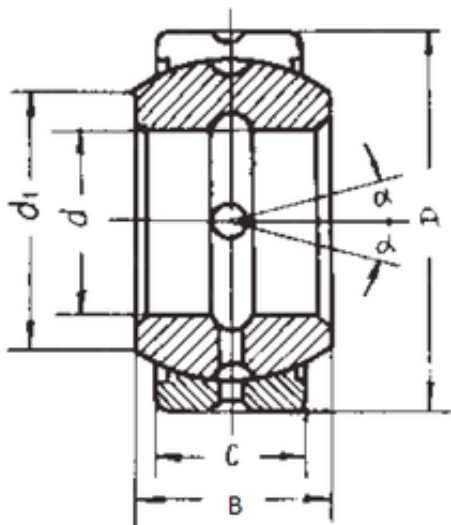




BEARING DRIVESHAFT ANDERSON, INC.



34,925 mm x 55,563 mm x 30,15 mm FBJ
GEZ34ES-2RS Plain bearings

Bearing No. GEZ34ES-2RS

Size	34.925x55.563x30.15 mm
Bore Diameter	34,925 mm
Outer Diameter	55,563 mm
Width	30,15 mm
d	34,925 mm
D	55,563 mm
B	30,15 mm
C	26,187 mm
d1	38,6 mm
Angle	6 °
Weight	0,351 Kg
Basic dynamic load rating (C)	102 kN

GEZ34ES-2RS Bearing 2D drawings and 3D CAD models