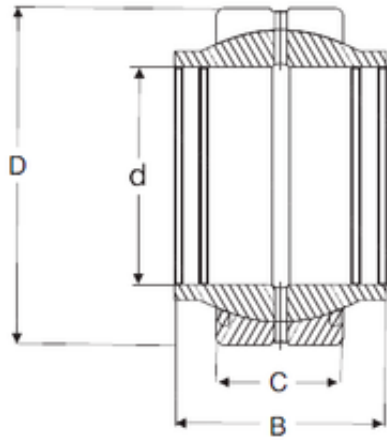




BEARING DRIVESHAFT ANDERSON, INC.



40 mm x 62 mm x 40 mm SIGMA GEG 40 ES
Plain bearings

Bearing No. GEG 40 ES

Size	40x62x40 mm
Bore Diameter	40 mm
Outer Diameter	62 mm
Width	40 mm
d	40 mm
D	62 mm
B	40 mm
C	22 mm

GEG 40 ES Bearing 2D drawings and 3D CAD models