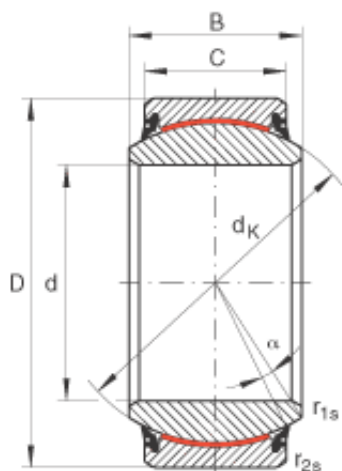




# BEARING DRIVESHAFT ANDERSON, INC.



## INA GE90-UK-2RS Plain bearings

Bearing No. GE90-UK-2RS

Size	90x130x60 mm
Bore Diameter	90 mm
Outer Diameter	130 mm
Width	60 mm
C	50 mm
$D_{a \min}$	108 mm
$d_{a \max}$	98,1 mm
$d_K$	115 mm
$r_{1s \min}$	1 mm
$r_{2s \min}$	1 mm
alf ( ° )	5
Weight (kg)	2,7
$C_r$ (N)	1380000
$C_{Or}$ (N)	2300000
Category	Spherical Plain Bearings - Radial
Inventory	0.0
Manufacturer Name	SCHAEFFLER GROUP
Minimum Buy Quantity	N/A
Weight / Kilogram	2.71
EAN	4012802532135
Product Group	B04264
Component	Complete with Outer and Inner Ring
Self Aligning	Yes
Rolling Element	Spherical Plain Bearing

GE90-UK-2RS Bearing 2D drawings and 3D CAD models



## BEARING DRIVESHAFT ANDERSON, INC.

Material - Outer Member	Steel
Material - Ball	Steel
Material - Liner	PTFE
Relubricatable	No
Enclosure	2 Seals
Other Features	2 Piece   Axially Split Outer Ring
Long Description	90MM Bore; 50MM Housing Width; 130MM Outside Diameter; Complete with Outer and Inner Ring; Self Aligning; Spherical Plain Bearing; Steel Outer Member; Steel Ball; PTFE Liner; 2 Seals; 60MM Overall Wid
Inch - Metric	Metric
Category	Plain Bearings Spherical Radial
UNSPSC	31171515
Harmonized Tariff Code	8483.30.80.70
Noun	Bearing
Keyword 3	Spherical
Keyword String	Plain Radial Spherical
Manufacturer URL	<a href="http://www.ina.com">http://www.ina.com</a>
Manufacturer Item Number	GE90UK2RS
Weight / LBS	5.954
Bore	3.543 Inch   90 Millimeter
Housing Width	1.969 Inch   50 Millimeter
Overall Width	2.362 Inch   60 Millimeter
Outside Diameter	5.118 Inch   130 Millimeter