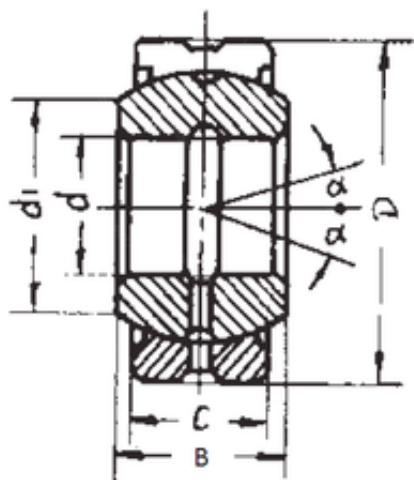




BEARING DRIVESHAFT ANDERSON, INC.



120 mm x 180 mm x 85 mm FBJ GE120ES-2RS
Plain bearings

Bearing No. GE120ES-2RS

| | |
|----------------------------------|---------------|
| Size | 120x180x85 mm |
| Bore Diameter | 120 mm |
| Outer Diameter | 180 mm |
| Width | 85 mm |
| d | 120 mm |
| D | 180 mm |
| B | 85 mm |
| C | 70 mm |
| d1 | 130 mm |
| Angle | 6 ° |
| Weight | 8,05 Kg |
| Basic dynamic load rating (C) | 950 kN |

GE120ES-2RS Bearing 2D drawings and 3D CAD models