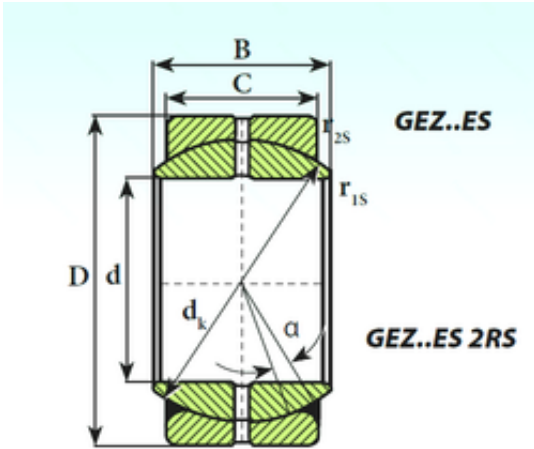




BEARING DRIVESHAFT ANDERSON, INC.



GEZ 95 ES 2RS Bearing 2D drawings and 3D CAD models

95,25 mm x 149,23 mm x 83,34 mm ISB GEZ 95 ES 2RS Plain bearings

Bearing No. GEZ 95 ES 2RS

Size	95.25x149.23x83.34 mm
Bore Diameter	95,25 mm
Outer Diameter	149,23 mm
Width	83,34 mm
d	95,25 mm
D	149,23 mm
B	83,34 mm
C	71,43 mm
dk	137 mm
r1 min.	1 mm
r2 min.	1 mm
Angle	6 °
Weight	5,8 Kg
Basic dynamic load rating (C)	780 kN