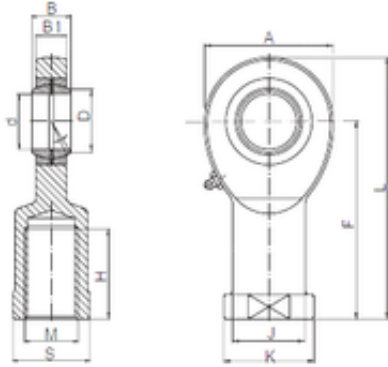




BEARING DRIVESHAFT ANDERSON, INC.

30 mm x 34,8 mm x 37 mm ISO SI 30 Plain bearings



Bearing No. SI 30

Bore Diameter	30 mm
d	30 mm
B	37 mm
A	70 mm
B1	25 mm
D	34,8 mm
F	110 mm
H	51 mm
J	40 mm
K	50 mm
L	145 mm
S	41 mm
Bolt (G)	M30x2

SI 30 Bearing 2D drawings and 3D CAD models