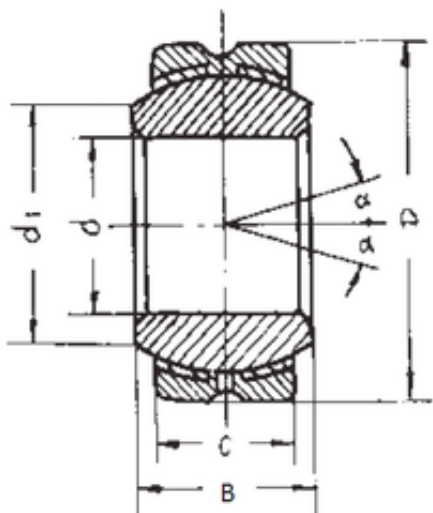




BEARING DRIVESHAFT ANDERSON, INC.



6 mm x 18 mm x 9 mm FBJ GEBK6S Plain bearings

Bearing No. GEBK6S

| | |
|-------------------------------|-----------|
| Size | 6x18x9 mm |
| Bore Diameter | 6 mm |
| Outer Diameter | 18 mm |
| Width | 9 mm |
| d | 6 mm |
| D | 18 mm |
| B | 9 mm |
| C | 6,75 mm |
| d1 | 9 mm |
| Angle | 13 ° |
| Weight | 0,013 Kg |
| Basic dynamic load rating (C) | 3,1 kN |

GEBK6S Bearing 2D drawings and 3D CAD models