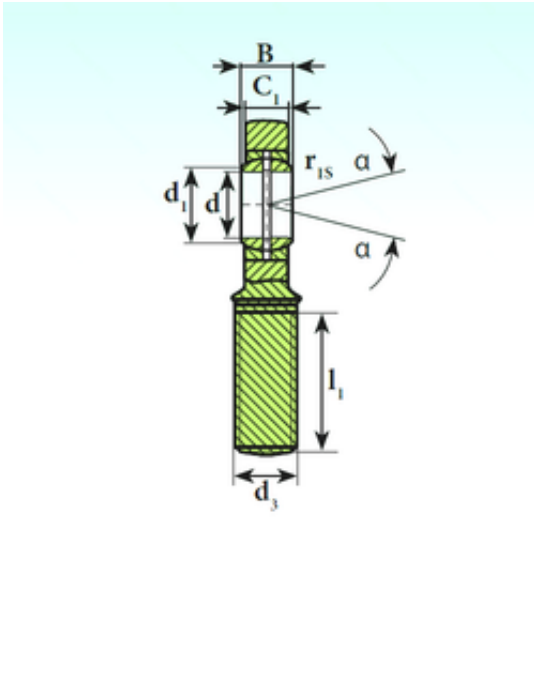




BEARING DRIVESHAFT ANDERSON, INC.



SA 17 ES 2RS Bearing 2D drawings and 3D CAD models

17 mm x 30 mm x 14 mm ISB SA 17 ES 2RS
Plain bearings

Bearing No. SA 17 ES 2RS

Size	17x30x14 mm
Bore Diameter	17 mm
Outer Diameter	30 mm
Width	14 mm
d	17 mm
D	30 mm
B	14 mm
d1	20,7 mm
d2	46 mm
dk	25 mm
h1	69 mm
l1 min.	36 mm
l2 max.	92 mm
l7 min.	23 mm
r min.	0,3 mm
C1	11 mm
W	M16x2
Angle	10 °
Weight	0,19 Kg
Basic dynamic load rating (C)	21,2 kN