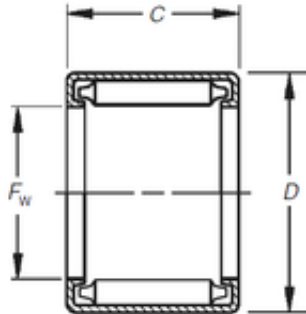




# BEARING DRIVESHAFT ANDERSON, INC.

## Timken B-77 Needle roller bearings



Bearing No. B-77

Size	11.113x15.875x11.13 mm
Bore Diameter	11,113 mm
Outer Diameter	15,875 mm
Width	11,13 mm
Fw	11,113 mm
D	15,875 mm
C	11,13 mm
Weight	0,007 Kg
Basic dynamic load rating (C)	7,7 kN
Basic static load rating (C0)	11,3 kN
(Grease) Lubrication Speed	4100 r/min

B-77 Bearing 2D drawings and 3D CAD models