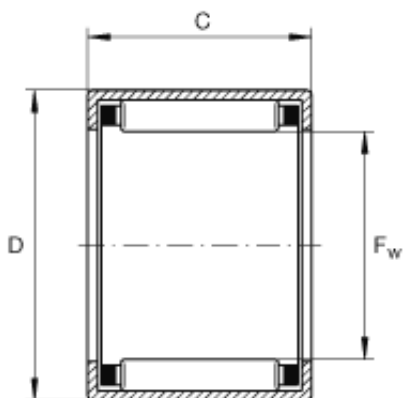




BEARING DRIVESHAFT ANDERSON, INC.



INA SCE96 Needle roller bearings

Bearing No. SCE96

Size	14.288x19.05x9.525 mm
Bore Diameter	14,288 mm
Outer Diameter	19,05 mm
Width	9,525 mm
F _w	9/16 inch
F _w	14,288 mm
D	0,75 inch
D	19,05 mm
C	0,375 inch
C	9,525 mm
m	0,013 lbs / Weight
m	6 g / Weight
C _r	1170 lbf / Dynamic load rating (radial)
C _r	5200 N / Dynamic load rating (radial)
C _{0r}	1440 lbf / Static load rating (radial)
C _{0r}	6400 N / Static load rating (radial)
n _G	17600 1/min / Limiting speed
n _B	12500 1/min / Reference speed
Category	Needle Non Thrust Roller Bearings
Inventory	0.0
Manufacturer Name	SCHAEFFLER GROUP

SCE96 Bearing 2D drawings and 3D CAD models



BEARING DRIVESHAFT ANDERSON, INC.

Minimum Buy Quantity	N/A
Weight / Kilogram	0.007
EAN	4012802134759
Product Group	B04144
Rolling Element	Needle Roller Bearing
Component	Roller Assembly with Outer Ring - No Inner Ring
Enclosure	Open
Self Aligning	No
Retainer	Yes
Number of Rows of Rollers	Single Row
Separable	No
Closed End	No
Inch - Metric	Inch
Relubricatable	No
Thrust Bearing	No
Long Description	9/16" Bore; 3/4" Outside Diameter; 3/8" Width; Needle Roller Bearing; Roller Assembly with Outer Ring - No Inner Ring; Open Enclosure; No Self Aligning; Yes Retainer; Single Row of Roll
Other Features	2 Rib Outer Ring Drawn Cup Bearing Steel Cage
Category	Needle Non Thrust Roller Bearing
UNSPSC	31171512
Harmonized Tariff Code	8482.40.00.00
Noun	Bearing
Keyword String	Needle
Manufacturer URL	http://www.ina.com
Manufacturer Item Number	SCE96
Weight / LBS	0.013



BEARING DRIVESHAFT ANDERSON, INC.

Outside Diameter	0.75 Inch 19.05 Millimeter
Bore	0.563 Inch 14.3 Millimeter
Width	0.375 Inch 9.525 Millimeter