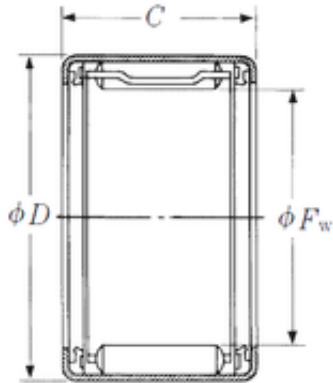




BEARING DRIVESHAFT ANDERSON, INC.

NSK FJLTT-2221 Needle roller bearings



Bearing No. FJLTT-2221

Size	22x29x21 mm
Bore Diameter	22 mm
Outer Diameter	29 mm
Width	21 mm
Fw	22 mm
D	29 mm
C	21 mm
Weight	0,024 Kg
Basic dynamic load rating (C)	12,7 kN

FJLTT-2221 Bearing 2D drawings and 3D CAD models