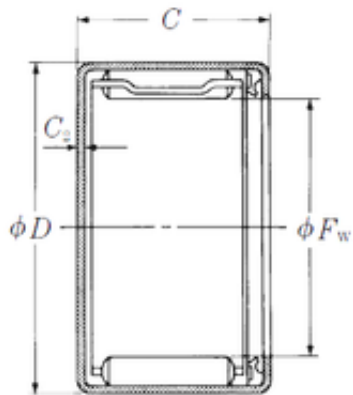




BEARING DRIVESHAFT ANDERSON, INC.

NSK MFJT-4022 Needle roller bearings



Bearing No. MFJT-4022

Size	40x47x22 mm
Bore Diameter	40 mm
Outer Diameter	47 mm
Width	22 mm
Fw	40 mm
D	47 mm
C	22 mm
C2	1 mm
Weight	0,057 Kg
Basic dynamic load rating (C)	23,5 kN

MFJT-4022 Bearing 2D drawings and 3D CAD models