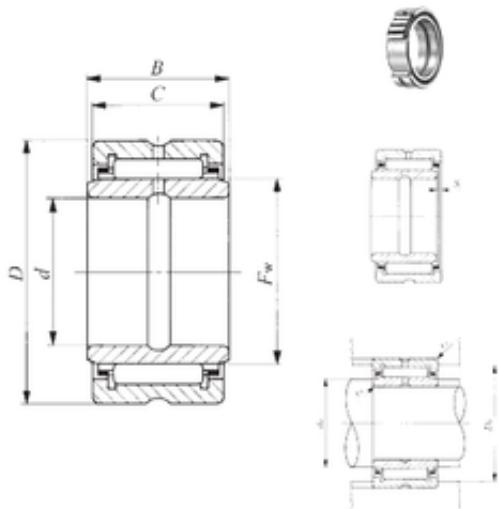




BEARING DRIVESHAFT ANDERSON, INC.



69,85 mm x 107,95 mm x 44,7 mm IKO BRI
446828 Needle roller bearings

Bearing No. BRI 446828

Size	69.85x107.95x44.7 mm
Bore Diameter	69,85 mm
Outer Diameter	107,95 mm
Width	44,7 mm
d	69,85 mm
Fw	82,55 mm
D	107,95 mm
B	44,7 mm
C	44,45 mm
da min.	77 mm
da max	79 mm
Da max.	99,7 mm
ra max.	2 mm
S	1 mm
Weight	1,52 Kg
Basic dynamic load rating (C)	141 kN
Basic static load rating (C0)	259 kN

BRI 446828 Bearing 2D drawings and 3D CAD models